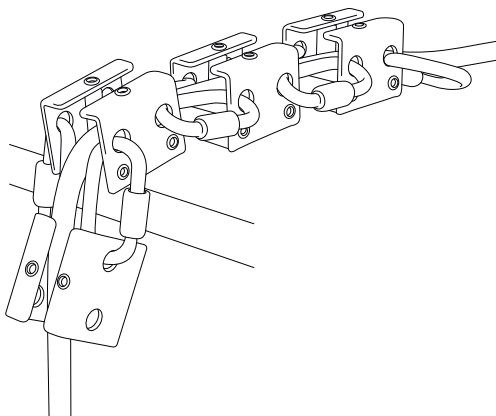


# ISIC

Solutions in Metal



Edge Roller

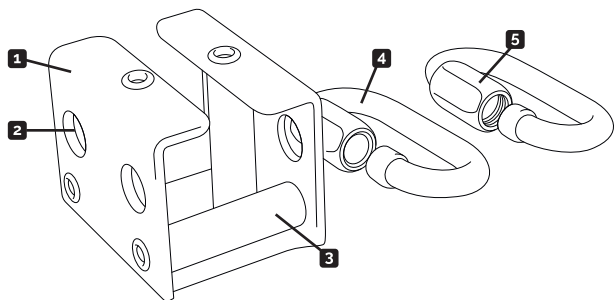
**climb. work. rescue.**

# EDGE ROLLER

The ISC Edge Roller is ideal for protecting ropes from wear. Each Edge Roller box has base rollers and side rollers, to protect the rope from edge wear and lateral movement

Edge Roller boxes are sold separately and boxes can be added or removed to suit terrain of each application.

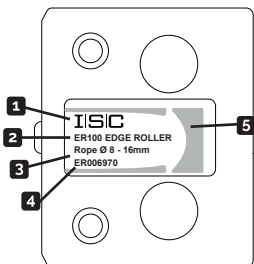
## A Edge Roller Nomenclature



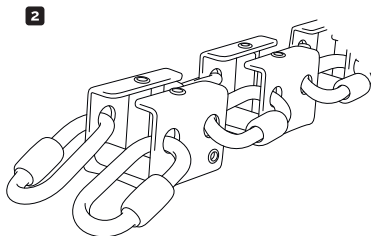
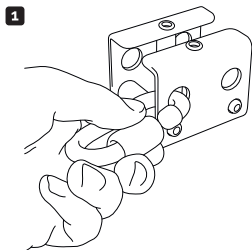
## B Care & Maintenance



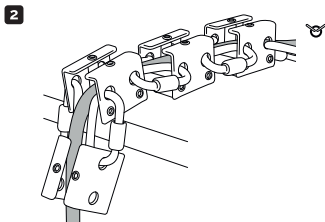
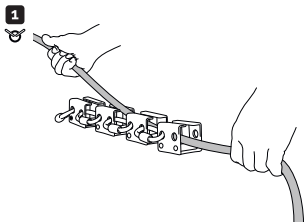
## C Markings



## D Assembly

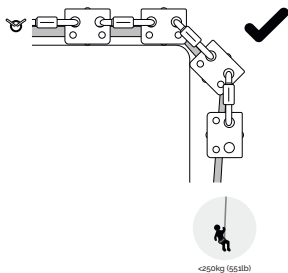


## E Rope Installation

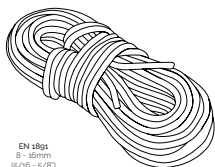
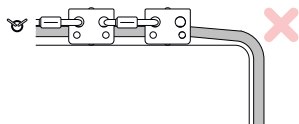


## F Use & Misuse

### Use

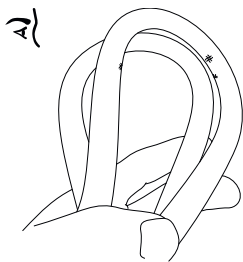
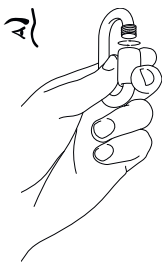
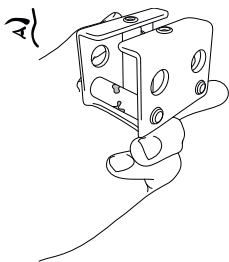


### Misuse



EN 1891  
8 - 36mm  
(5/8" - 5/8")

## G Inspection



**A Nomenclature**

- 1 Single Roller Box
- 2 Link Attachment Point
- 3 Roller Sleeve
- 4 Link
- 5 Link Barrel

**B Care & Maintenance****C Markings**

- 1 Manufacturers Identification
- 2 Part Code
- 3 Suitable Rope Diameter - (8 - 16mm / 5/16 - 5/8")
- 4 Serial Number
- 5 Product Logo

**D Assembly**

- 1 Connect the Link through the Link Attachment Point. Using the same link, connect to the second Roller Box and tighten the barrel.
- 2 Repeat this and use as many Roller Boxes and Links as required.

**E Rope Installation**

- 1 Attach to the anchor point and place rope (8 - 16mm / 5/16 - 5/8") through the link boxes.
- 2 Anchor the Edge Roller Assembly.

**F Use & Misuse****Use**

Ensure the Edge Rollers are positioned accordingly before beginning any work. Beware, the greater the distance between the Edge Rollers and the anchor point, the greater the potential for lateral movement of the rope.

The Edge Rollers must be positioned so that the rope runs over the centre and does not lift out.

Ensure the Edge Roller is secure and stable before using the rope below it.

During use, it is essential to regularly check that the rope and Edge Rollers are still correctly positioned.

The Edge Rollers are designed for use in a work positioning system, to protect a rope from contact with an edge where it is not possible to achieve a free hang. Ideally the rope should be rigged to avoid all contact with edges.

Edge Rollers may be used with rope conforming to EN 1891, of diameter 8 - 16mm (5/16 - 5/8").

**Misuse**

Do not allow the rope to rub on the working edge. This may cause the rope to become damaged. Ropes in contact with each other must not be allowed to move relative to each other or the Edge Rollers. If necessary, use more than one Edge Roller.

It is not designed for use with wire cable. It should not be used if the anticipated load on the rope exceeds 250kg (551lb).

**G Inspection**

Edge Rollers should be subject to:

- Pre-use checks
- Thorough inspections
- Interim inspections (as appropriate)

Before each use, check the metal part of the Edge Roller for damage, especially worn grooves or burrs. Small burrs may be removed with emery cloth.

Check condition of the Links. Ensure that the barrel loosens and tightens accordingly.

Ensure that all rope contact surfaces are left smooth. Check the rope for signs of wear or damage and replace if necessary.

All checks should be undertaken in good light. Any item showing any defect should be withdrawn from service immediately.

### **Quality Assurance**

Quality management system assessed and certified as meeting the requirements of ISO 9001.

### **Materials**

The body of the Edge Roller is Steel.

The rollers are Aluminium.

The Quick Links are Steel.

# PRODUCT RECORD

1				
2			3	
4			5	
6			7	
8	9	10	11	12
		✓	✗	
		✓	✗	
		✓	✗	
		✓	✗	
		✓	✗	
		✓	✗	
		✓	✗	
		✓	✗	
		✓	✗	
		✓	✗	
		✓	✗	
		✓	✗	
		✓	✗	
		✓	✗	
		✓	✗	
		✓	✗	



- 1 Item, Položka, Element, Artikel, Artículo, Tuote, Élément, Articolo, Onderdeel, Artikel, Pozycja, Item, Objekt, .
- 2 Serial Number, Sériové číslo, Serienummer, Seriennummer, Numéro de serie, Sarjanumero, Numéro de série, Numero di serie, Serienummer, Serienummer, Numer seryjny, Número de série, Serienummer, . .
- 3 Year of manufacture, Rok výroby, Produktionsår, Herstellungsjahr, Año de fabricación, Valmistusvuosi, Année de fabrication, Anno di produzione, Productiejaar, Produktionsår, Rok produkci, Ano de fabric, Tillverkningsår, . .
- 4 Purchased from, Zakoupeno od, Købt af, Gekauft von, Comprado en (distribuidor), Ostopaikka, Acheté auprès de, Acquistato da, Gekocht bij, Kjøpt fra, Zakupione od, Adquirido de, Inkøpt hos, . .
- 5 Purchase date, Datum nákupu, Købsdato, Kaufdatum, Fecha de compra, Ostopäivä, Date d'achat, Data di acquisto, Ankoopdatum, Kjøpsdato, Data zakupu, Data da aquisição, Inkøpsdatum, . .
- 6 Name of Manufacturer, Výrobce, Producent, Hersteller, Fabricante, Valmistaja, Fabricant, Produttore, Fabrikant, Producent, Producent, Fabricante, Tillverkare, . .
- 7 Date of first use, Datum prvnioho použití, Datoen for første anvendelse, Datum der ersten Benutzung, Fecha del primer uso, Ensimmäinen käyttöpäivä, Date de première utilisation, Data del primo utilizzo, Datum van ingebruikname, Dato for første gangs bruk, Data pierwszego użycia, Data da primeira utilização, Datum för första användning, . .
- 8 Inspection date, Datum kontroly, Inspektionsdato, Prüfungsdatum, Fecha de inspección, Tarkistuspäivä, Date d'inspection, Data ispezione, Inspectedatum, Kontrolldato, Data przeglądu, Data da inspeção, Inspektionsdatum, . .
- 9 Reason (periodic examination (E) or repair (R)), Důvod (periodická prohlídka (E) nebo oprava (R)), Grund (periodisk undersøgelse (E) eller reparation (R)), Grund (regelmäßige Prüfung (E) oder Reparatur(R)), Motivo (examinación periódica (E) o reparación(R)), Syy (määraaikainen tarkistus (E) tai korjaus (R)), Motif (examen périodique (E) ou réparation (R)), Motivo (esame periodico (E) o riparazione (R)), Reden (periodiek onderzoek (E) of reparatie (R)), Årsak (periodisk kontroll (E) eller reparasjon (R)), Powód (przeгляд okresowy — E; naprawa — R), Motivo (inspeção periódica [E] ou reparação [R]), Orsak (periodiskt återkommande granskning (E) eller reparation (R)), ( [E] [R], [E][R]).
- 10 Conform, Odpovídá, Overholdelse, Bedingungen erfüllt, Conformidad, Vaatimustenmukaisuus, Conformité, Conforme, Voldoet aan, Samsvar, Zgodność, Conformidade, Efterlevnad, . .
- 11 Comments, Připomínky, Bemærkninger, Kommentare, Comentarios, Kommentit, Commentaires, Commenti, Opmerkingen, Kommentarer, Uwagi, Comentários, Kommentarer, . .
- 12 Signature, Podpis, Underskrift, Unterschrift, Firma, Allekirjoitus, Signature, Firma, Handtekening, Signatur, Podpis, Assinatura, Underskrift, . .

# NOTES

# NOTES

# ISC

Solutions in Metal

**International Safety Components Ltd.**

Unit 1, Plot 2  
Llandygai Industrial Estate  
Bangor  
Gwynedd  
LL57 4YH  
United Kingdom

+44 (0) 1248 363 125  
[sales@iscwales.com](mailto:sales@iscwales.com)  
[www.iscwales.com](http://www.iscwales.com)



**Stay up to date with ISC e-mail alerts!**

Scan the QR Code with your Smartphone to register for ISC e-mail Alerts. We will email you from time to time with news of new products, product updates and other news features which are relevant to your chosen industry.