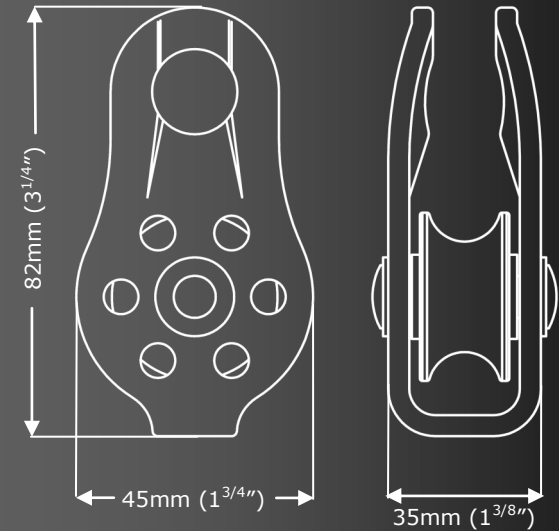


# RP037 Micro Pulley (12kN /2698lbf Rated Bridge)

## Data Sheet



The ISC Micro Pulley is made from high strength Aluminium and fitted with tamper-proof rivets. ISC Micro Pulleys are fitted with Bushings, which are ideal in lightweight applications.



<b>Weight</b>	90g (3oz)
<b>Body Material</b>	Aluminium
<b>Wheel Material</b>	Aluminium
<b>Finish</b>	Anodised
<b>Rope Size</b>	Max 13mm (1/2")
<b>MBS</b>	28kN (6295)