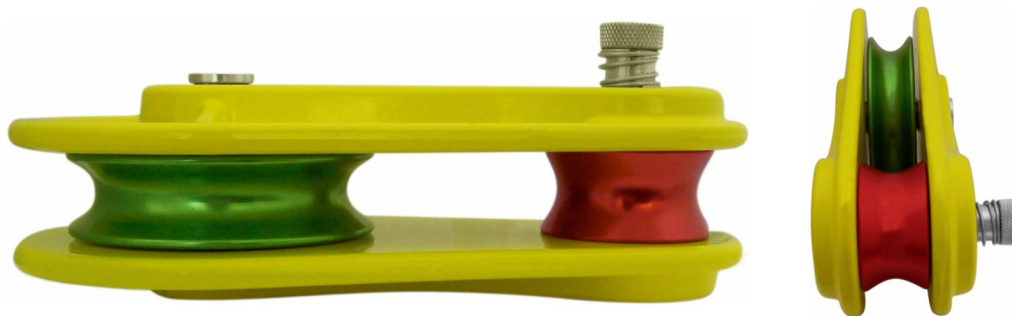
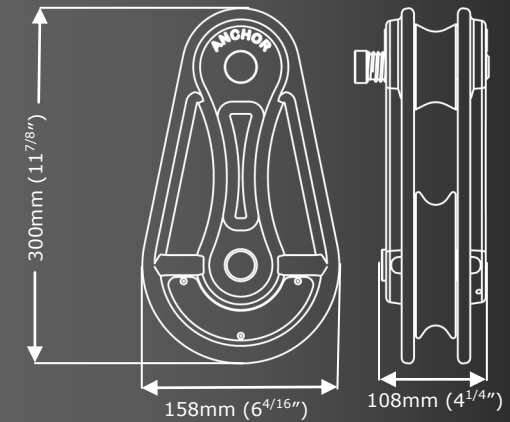


RP057 Large Cast Pulley -19mm (3/4") Rope

Data Sheet



ISC Rigging Blocks have colour-coded Side Cheeks and Pulley Wheels, helping the user to easily identify the correct Block for the task. We have introduced a new fixed bollard dimension, which allows the user to fall in-line with rigging standard practice, whereby the Anchor/Topping Strop should be twice the Strength of the Working Line.



Weight	2.3kg (5.3lbs)
Wheel Material	Aluminium
Body Material	Aluminium
Finish	Powder Coated
MBS	200kN (44962lbf)
WLL	4000kg (8800lbs)

	Working Line	Topping Strop
Size	19mm (3/4")	29mm (1 1/8")
MBS	106kN (23400lb)	213kN (46800lb)