

# RP051 Small Cast Pulley -16mm (5/8")

## Data Sheet

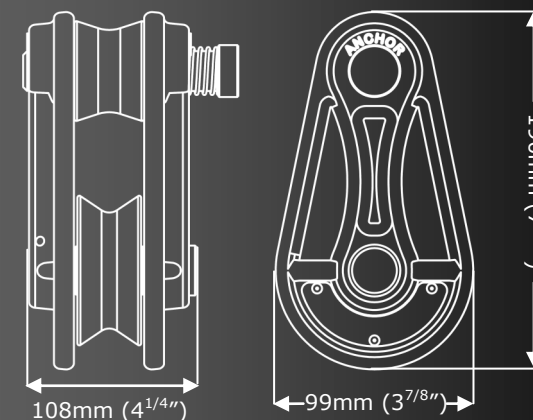


climb. work. rescue.

# ISC

SOLUTIONS IN METAL

ISC Rigging Blocks have colour-coded Side Cheeks and Pulley Wheels, helping the user to easily identify the correct Block for the task. We have introduced a new fixed bollard dimension, which allows the user to fall in-line with rigging standard practice, whereby the Anchor/Topping Strop should be twice the Strength of the Working Line.



<b>Weight</b>	1.6kg (3.5lbs)
<b>Wheel Material</b>	Aluminium
<b>Body Material</b>	Aluminium
<b>Finish</b>	Powder Coated
<b>MBS</b>	100kN (22480lbf)
<b>WLL</b>	2000kg (4400lbs)

	<b>Working Line</b>	<b>Topping Strop</b>
<b>Size</b>	16mm (5/8")	25mm (1")
<b>MBS</b>	77kN (17000lb)	172kN (37800lb)