

RP430 ALF™ Climb Assist Pulley

Data Sheet



RP430 ALF Climb Assist Pulley

Alpine Butterfly Attachment Loop, with Karabiner

RP066 Large Single Prussik



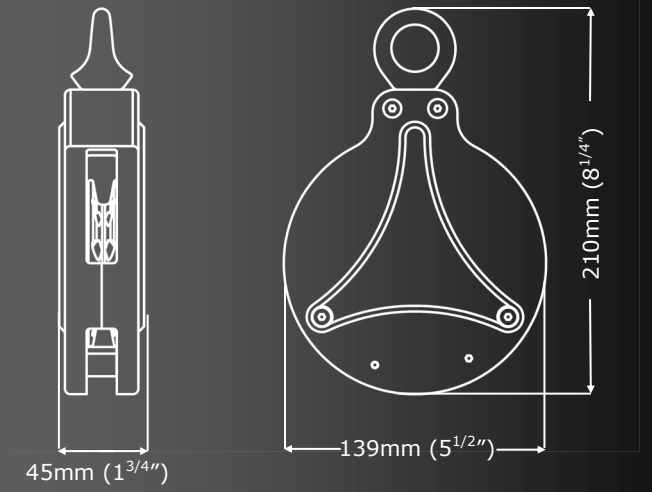
Service requirements:

Immediately before, during and after use make visual inspections of the product to ensure that it is in a serviceable condition and is operating correctly. In addition to the basic visual inspections conducted by the user, the product must be examined annually, or more frequently depending on local legislation or intensity of use, by the manufacturer or a competent person authorised by the manufacturer. Other things, such as, extreme temperatures, humidity, the effects of chemicals, rust, cuts, abrasions or the frequency of use could affect the required service interval of the equipment.

climb. work. rescue.



The ALF™ Climb Assist Pulley uses a uniquely designed locking system, which combines a speed sensitive inertia locking brake system, with a grooved pulley wheel. The ALF has been field trialled and cycle tested by over 4000 users with no detriment to performance and with little or no wear. The ALF has been extensively drop tested, in line with both CE EN360 and ANSI Z359. The unit has also been tested with weights other than those required for CE and ANSI Standards and has been statically pulled to destruction- making it probably the safest Climb Assist product in the world!



Weight	1205g (43oz)
Rope Size	Approved 11mm EN1891-A Ropes only
Body Material	Aluminium
Finish	Anodised
WLL	140kg (310lbs)