

# RP240 Ultrasafe Hand Ascender- Right Handed

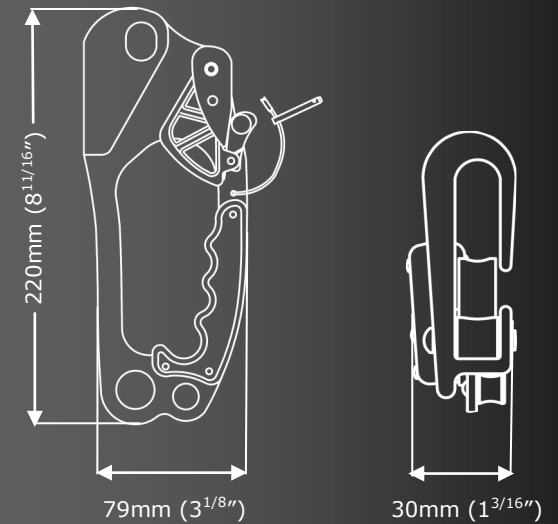
## Data Sheet



**Ultrasafe Cam Pin** for improved rope retention, safety and control.

ISC Hand Ascenders are fitted with Stainless Steel cams with cones (rather than spikes), to minimise rope wear. All ISC Hand Ascenders have both primary and secondary attachment holes.

ISC Hand Ascenders have moulded comfort-grip handles. Left-hand version also available (see RP230).



<b>Weight</b>	367g (13oz)
<b>Body Material</b>	Aluminium
<b>Finish</b>	Anodised
<b>Rope Size</b>	9-13mm (5/16-1/2")
<b>MBS</b>	Dependant on Rope Type.