

RP230 Ultrasafe Hand Ascender- Left Handed

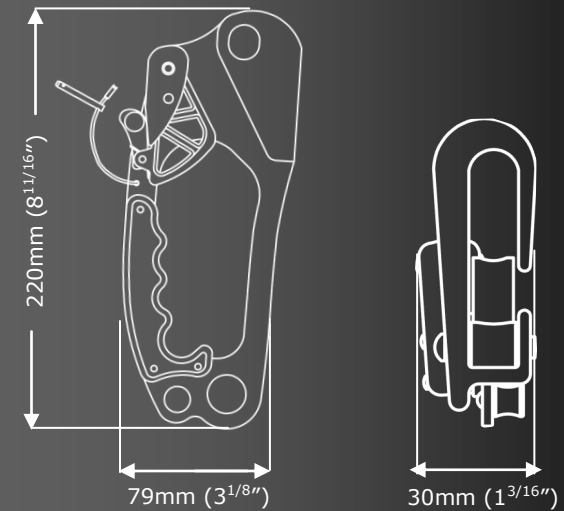
Data Sheet



Ultrasafe Cam Pin for improved rope retention, safety and control.

ISC Hand Ascenders are fitted with Stainless Steel cams with cones (rather than spikes), to minimise rope wear. All ISC Hand Ascenders have both primary and secondary attachment holes.

ISC Hand Ascenders have moulded comfort-grip handles. Right-hand version also available (see RP240).



Weight	367g (13oz)
Body Material	Aluminium
Finish	Anodised
Rope Size	9-13mm (5/16-1/2")
MBS	Dependant on Rope Type.