

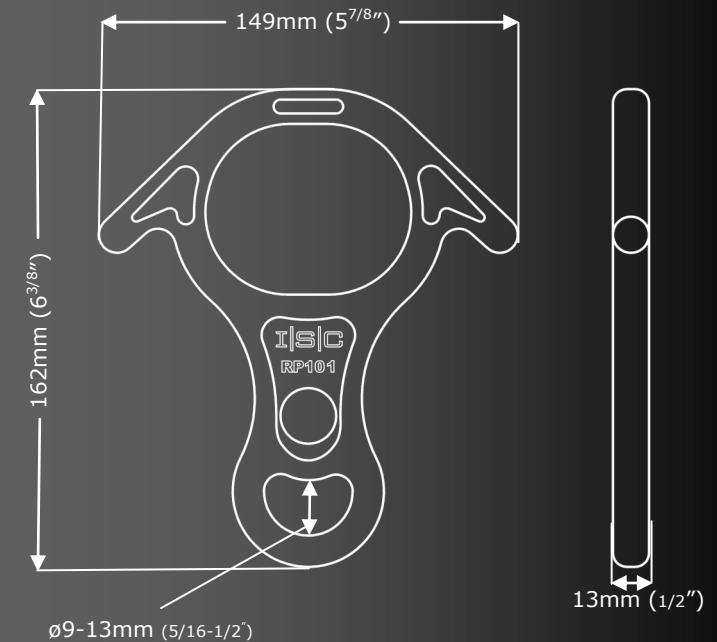
RP101 Rescue Figure 8 Stainless Steel

Data Sheet



ISC Manufactures an extensive range of Ascenders and Descenders for use on a wide variety of ropes.

The Rescue Figure 8 devices have extended side bars to keep the rope in place, preventing the rope from creeping inwards and causing unwanted locking.



Weight	600g (21oz)
Body Material	Stainless Steel
Finish	Polished
Rope Size	Max 9- 13mm (5/16-1/2")
MBS	80kN (17985lbf)