

ARC074 ARC Anti-Rollback Cam

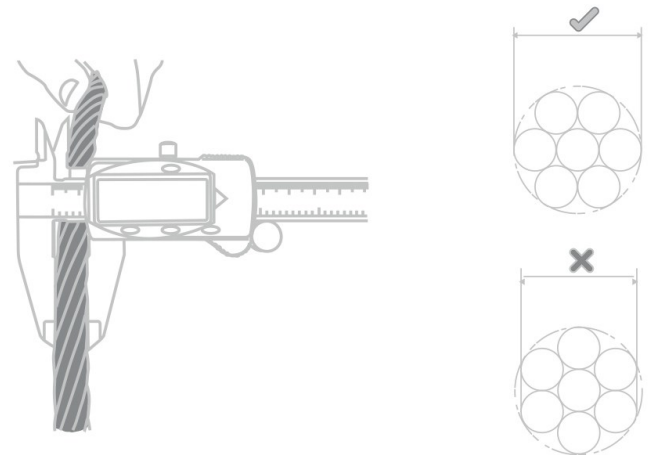
Product Datasheet

123456
34567
56789



Correct measuring of cable*

NOTE- Smooth cable (swaged or interlocked) improves the performance of any zip trolley and ARCs. Conversely, coarse-lay cables reduce the lifespan of the trolley and ARCs. Due to the many different cable types and variables affecting usage, we recommend that you carry out trial evaluations with a sample ARC on your chosen trolley and cable to ensure compatibility and suitability in the environment which you intend to use them.



PRODUCT OVERVIEW

The ARC074 Anti-Rollback Cam is a simple device which can be retro-fitted to the Zippey Clip'n'Zip Trolley. During normal use the ARC trails, allowing the trolley to roll forwards unhindered. However, as soon as the trolley begins to roll backwards, the cam is activated, bringing the trolley to an immediate halt. The anti-rollback captures the progress of the trolley, which means that even if the trolley doesn't reach the end of the Zipline, it cannot roll back and hence rescue distance (and therefore, the rescue time) is significantly reduced.

TECHNICAL INFORMATION

| | | |
|-----------------------|------------------------------|------------------------------|
| Part Code | ARC074A1/ ARC074A2 | |
| Trolley Compatibility | RP074 Zippey Clip'n'Zip | |
| Cable Diameter | ARC074A1: \varnothing 12mm | ARC074A2: \varnothing 13mm |
| Weight | 59g (2oz) | |
| Cam Material/finish | Aluminium/Anodised | |

I/S/C
Solutions in Metal

+44 (0) 1248 363 110 www.iscswales.com sales@iscswales.com

Unit 1, Plot 2, Llandygai Industrial Estate
Bangor, Gwynedd, LL57 4YH, United Kingdom
Company Registered in England & Wales, No. 2999156

Manufactured in Wales, UNITED KINGDOM



climb. work. rescue.