



UB100 Merlin™ 10m (32ft) Fall Arrest Block

Data Sheet



ISC Fall Arrest Blocks* are fitted with a specialist Karabiner, which indicates when a fall has taken place. When a fall occurs, the Red Indicator ring is exposed to identify that an inspection is required.

*Choice of hooks available on Merlin Fall Arrest Blocks.

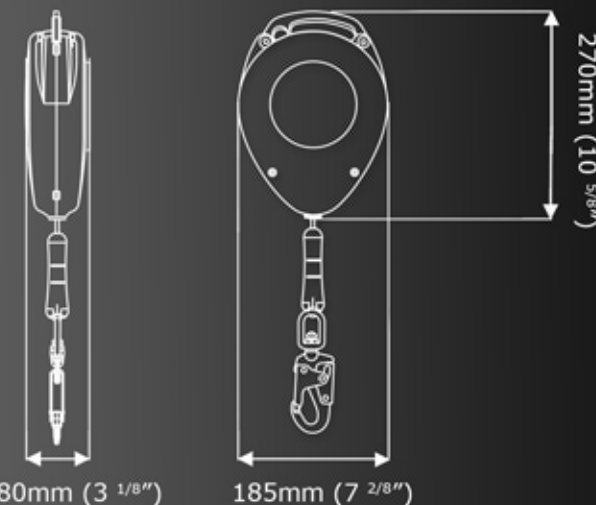
climb. work. rescue.

ISC

SOLUTIONS IN METAL

The **NEW** Merlin™ 10m (32ft) is the first in the new, improved range. The Merlin™ Fall Arrest Blocks are lightweight blocks with durable cast Aluminium housings.

The new design features an offset attachment hole, designed to position the block in order to keep the working line free from bending during use.



Average weight	4kg (9lb)
WLL	140kg (308lb)
Max Arrest Distance	1372mm (54")
Line Type	5mm 6x19 Galvanised Steel
Body Material	Cast Aluminium
Standards	EN360:2002 ANSI Z359.12:2009