



RP890 Red™ Back-up Device (no cord)

Data Sheet



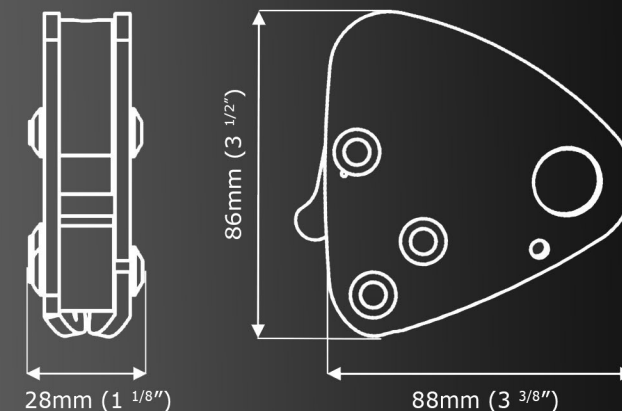
The RED™ makes use of 'Rotational Braking' which means that the more the device rotates clockwise the more friction is built up and this provides an automatic brake even in the event of a sudden pull on the cow's tail.

climb. work. rescue.

I|S|C

SOLUTIONS IN METAL

The RED™'s non-aggressive cams have a positively locking spring which means the device is self-parking rather than self-tailing. This is important for Rope Access work techniques as they require the back-up device to be positioned so as to reduce fall factors to a minimum.



Average weight	202g (7.12oz)
Rated capacity	240kg (529lb)
Rope diameter	10.5-11mm (3/8")
Attachment hole	18mm (3/4")
Body material	Aluminium
Cam material	Aluminium
Finish	Anodised
Standards	CE EN 12841