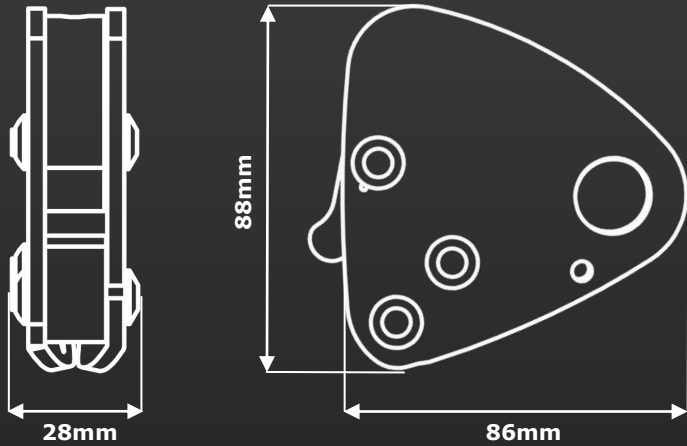


RP891 Red™ Back-up Device With Fixed Tow Cord



The RED™'s non-aggressive cams have a positively locking spring which means the device is self-parking rather than self-tailing. This is important for Rope Access work techniques as they require the back-up device to be positioned so as to reduce fall factors to a minimum.

The RED™ makes use of 'Rotational Braking' which means that the more the device rotates clockwise the more friction is built up and this provides an automatic brake even in the event of a sudden pull on the cows-tail.



Rated Capacity	240kg
Rope	10.5– 11mm
Body Material	Aluminium (Anodised)
Cam Material	Aluminium (Hard Anodised)
Quality	100% Inspected
Standards	CE EN 12841
Weight	201g



Self-parking
The device moves only when towed



Swing-cheek
Easy attachment to Rope