



UB066 6.6m (22ft) Merlin Fall Arrest Block

Data Sheet



Choice of hook available

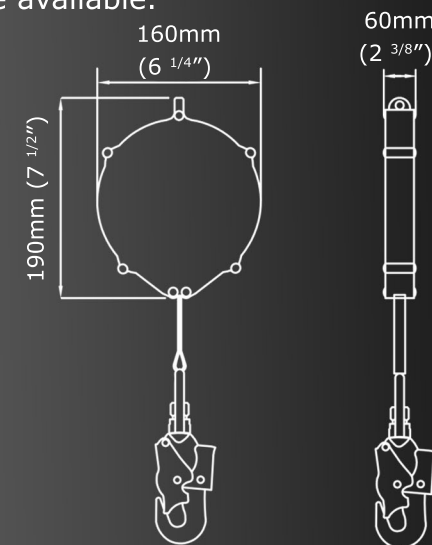
climb. work. rescue.

ISC

SOLUTIONS IN METAL

All ISC Blocks have solid Aluminium Housings, proven to last all sorts of environments, from rental to off-shore. The internal mechanisms are simple, making them easily serviceable.

The UB066 Merlin Fall Arrest Block is available with a range of Snaphooks and Karabiners in Stainless Steel, Steel or Aluminium to suit custom applications. Swivel/fall indicating hooks are available.



Average weight	2kg (5lb)
WLL	136kg (300lb)
Arrest Distance	1372 (54")
Line Type	Webbing
Standards	ANSI Z359:1:2007 EN360:2002