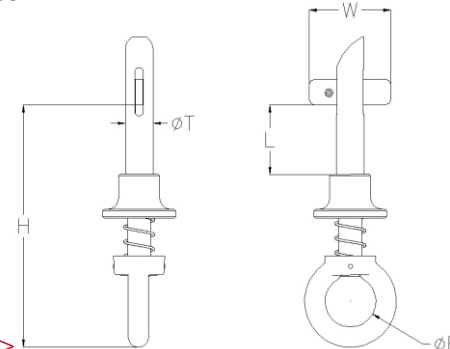
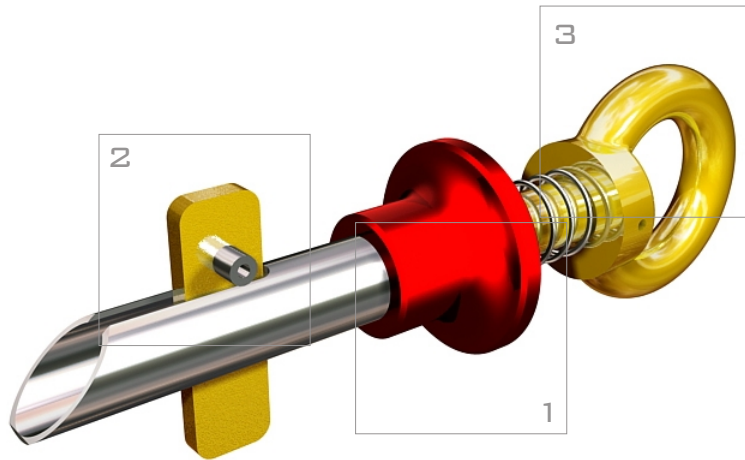


**GG101 > GIRDER GRIP
FOR STEEL WORK.**

ISC MANUFACTURES AN EXTENSIVE RANGE OF ANCHOR DEVICES. ALL ANCHOR DEVICES CONFORM TO RELEVANT EUROPEAN AND ANSI STANDARDS.



DIMENSIONS >
LENGTH > 210MM
WIDTH > 56MM
THICKNESS > 19MM

FEATURES > THIS ANCHOR HAS BEEN DESIGNED TO PROVIDE SECURE ANCHOR POINTS THROUGH STEEL STRUCTURE. TO FIT HOLE SIZE 19 - 28MM.

MATERIAL > HIGH TENSILE STEEL, AND ALUMINIUM.

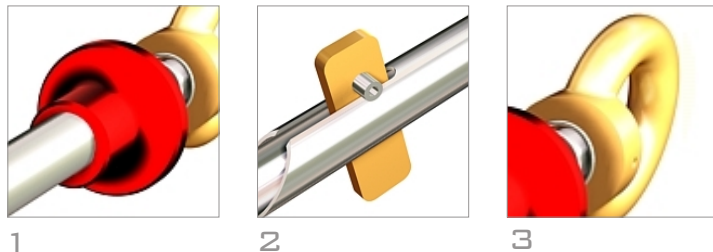
MINIMUM BREAKING LOAD > 28KN

APPROVED STANDARDS > CE CERTIFIED TO BSEN 795.

FINISH > PLATED, POLISHED AND ANODISED.

QUALITY > PROOF LOADED TO 16KN ON REQUEST. 100% INSPECTED AND FUNCTION TESTED.

WEIGHT > 534G



INTERNATIONAL SAFETY COMPONENTS LTD
 Unit 1, Plot 2, Llandygai Industrial Estate,
 Bangor
 Gwynedd
 LL574YH

T - +44 (0) 1248 363 110
F - +44 (0) 1248 372 348
E - sales@iscwales.com
W - www.iscwales.com