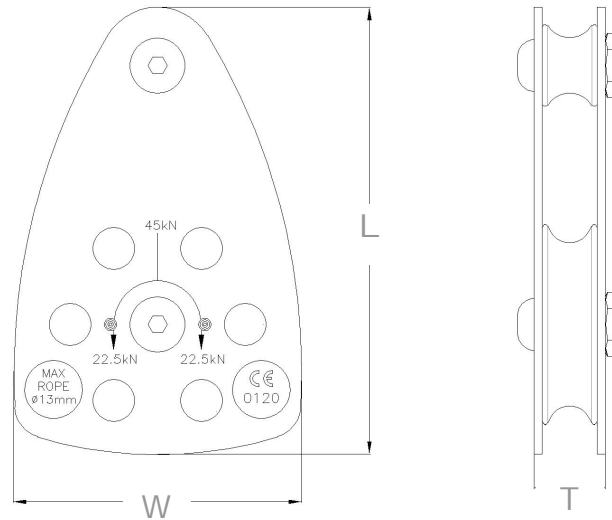


# PULLEYS > STAINLESS STEEL >



**RP029** > LONG PRUSSIK PULEY, WITH FIXED WHEEL.

ISC MANUFACTURES AN EXTENSIVE RANGE OF STAINLESS STEEL PULLEYS. ALL STAINLESS STEEL PULLEYS CONFORM TO RELEVANT EUROPEAN AND ANSI STANDARDS.



**DIMENSIONS** >  
**LENGTH** > 103MM  
**WIDTH** > 66MM  
**THICKNESS** > 16.5MM

**MATERIAL** > STAINLESS STEEL  
**MAX ROPE SIZE** > 13MM  
**MINIMUM BREAKING STRENGTH** > 45KN  
**APPROVED STANDARDS** > BS EN 12278  
**FINISH** > POLISHED  
**QUALITY** > 100% INSPECTED  
**WEIGHT** > 698G



1



2

**ISC**  
 SOLUTIONS IN METAL

International Safety Components Ltd  
 Unit 1, Llandygai Industrial Estate,  
 Bangor  
 Gwynedd  
 LL57 4YH  
 United Kingdom  
 T- +44 (0) 1248 363 110  
 F- +44 (0) 1248 372 348  
 E- sales@iscwales.com  
 W- www.iscwales.com