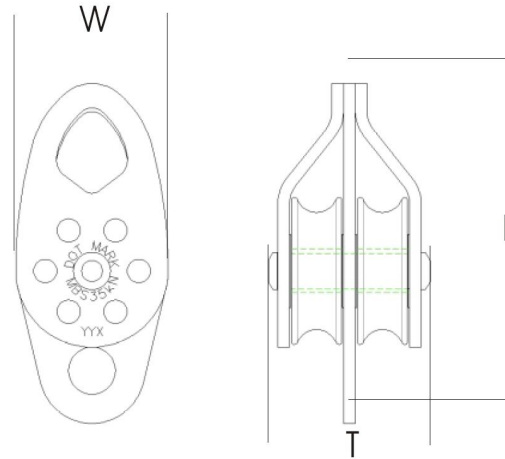


PULLEYS > ALUMINIUM >



RP033 > MEDIUM DOUBLE EIGER, SINGLE ENDED COLOUR OPTIONS AVAILABLE.

ISC MANUFACTURES AN EXTENSIVE RANGE OF ALUMINIUM PULLEYS. FOR USE ON 10 MM - 16 MM ROPE. ALL ALUMINIUM PULLEYS CONFORM TO RELEVANT EUROPEAN AND ANSI STANDARDS.



DIMENSIONS >
LENGTH > 110mm
WIDTH > 52mm
THICKNESS > 57mm

MATERIAL > HIGH STRENGTH ALUMINIUM ALLOY
ROPE SIZE > 10—13 MM
MINIMUM BREAKING STRENGTH > 35kn
APPROVED STANDARDS > EN 12278
FINISH > ANODISED
QUALITY > 100% INSPECTED
WEIGHT > 286g



International Safety Components Ltd
 Unit 1, Llandygai Industrial Estate,
 Bangor
 Gwynedd
 LL57 4YH
 United Kingdom
T- +44 (0) 1248 363 110
F- +44 (0) 1248 372 348
E- sales@iscwales.com
W- www.iscwales.com