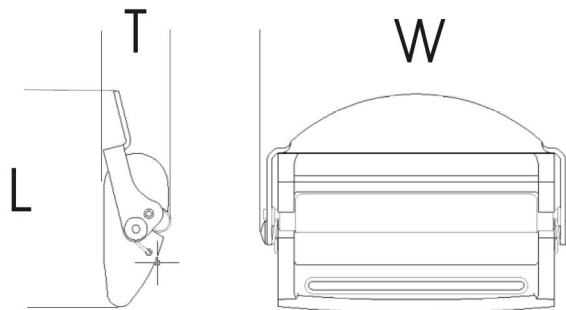




BU171 > 75 MM FORGED ADJUSTER CAM BUCKLE.

ISC MANUFACTURES AN EXTENSIVE RANGE OF HARNESSES COMPONENTS ALL HARNESSES COMPONENTS CONFORM TO RELEVANT EUROPEAN AND ANSI STANDARDS.



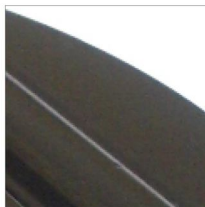
DIMENSIONS >
LENGTH > 69mm
WIDTH > 100mm
THICKNESS > 23mm



1



2



3

MATERIAL > HIGH STRENGTH ALUMINIUM ALLOY
MINIMUM BREAKING STRENGTH > 35kn
APPROVED STANDARDS > BS EN 12278 NFPA (2001) APPROVED
FINISH > ANODISED
QUALITY > 100% INSPECTED