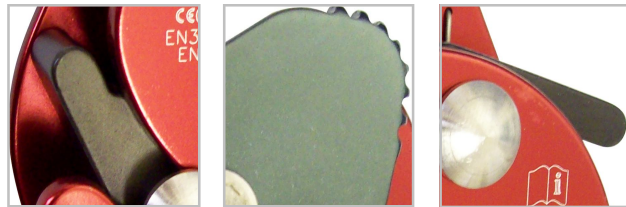
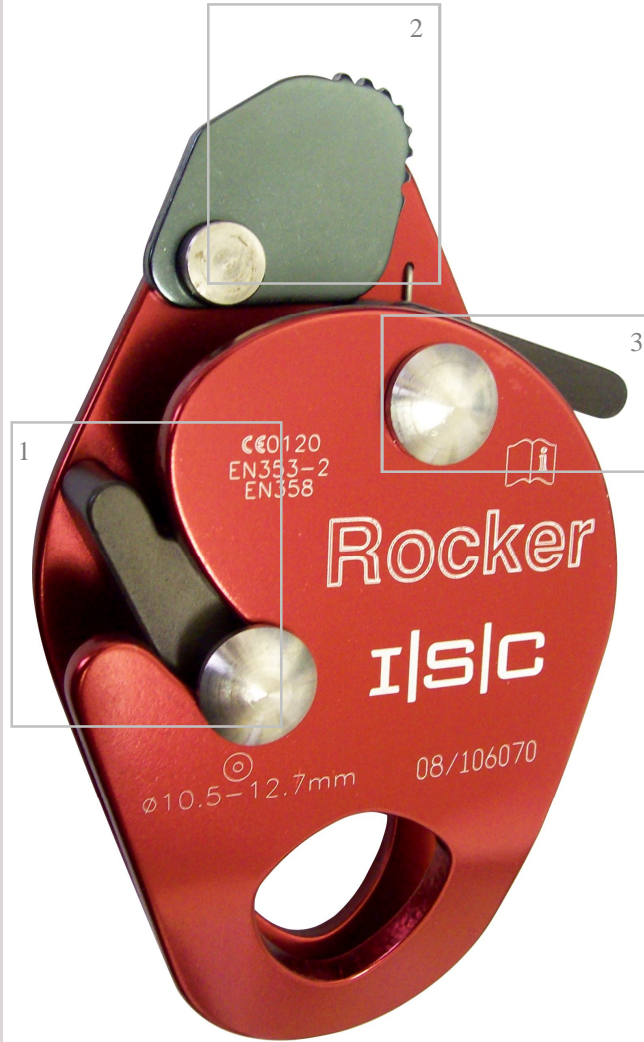


FALL ARREST > ROPE GRABS >



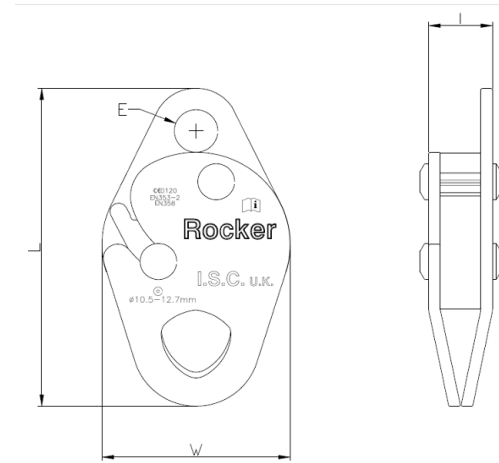
1

2

3

RP500 > ROCKER ROPE GRAB, FOR USE ON 10.5 - 13MM DIAMETER ROPE.

ISC MANUFACTURES AN EXTENSIVE RANGE OF FALL ARREST ROPE GRABS FOR USE ON 10.5MM- 16MM DIAMETER ROPE. ALL ROPE GRABS CONFORM TO RELEVANT EUROPEAN AND ANSI STANDARDS.



DIMENSIONS >

LENGTH > 115mm

WIDTH > 65mm

THICKNESS > 22mm

MATERIAL > HIGH STRENGTH ALUMINIUM

MINIMUM BREAKING STRENGTH > DEPENDANT ON TYPE AND DIAMETER OF ROPE

STANDARDS > CE EN. 353/2 EN358

FINISH > ANODISED

QUALITY > 100% INSPECTED

WEIGHT > 164g



International Safety Components Ltd
 Unit 1, Llandygai Industrial Estate,
 Bangor
 Gwynedd
 LL57 4YH
 United kingdom
 T- +44 (0) 1248 363 110
 F- +44 (0) 1248 372 348
 E- sal es@iscwal es.com
 W- www.iscwal es.com