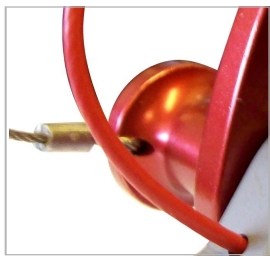
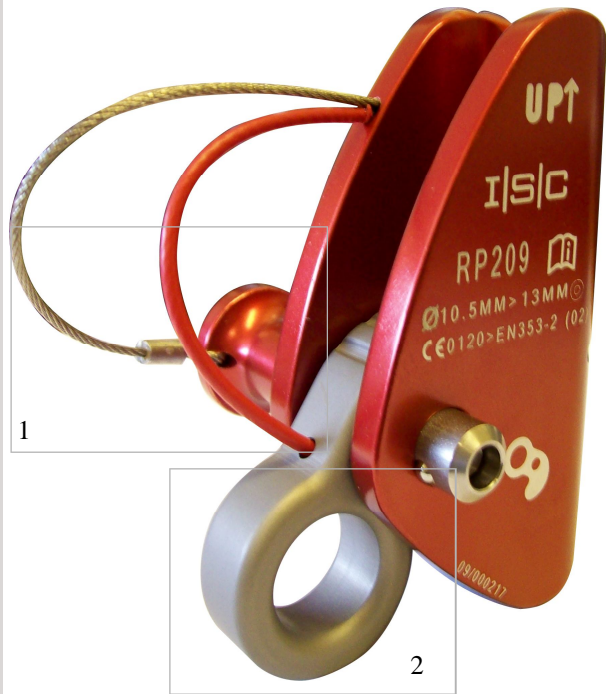


FALL ARREST > ROPEGRABS >



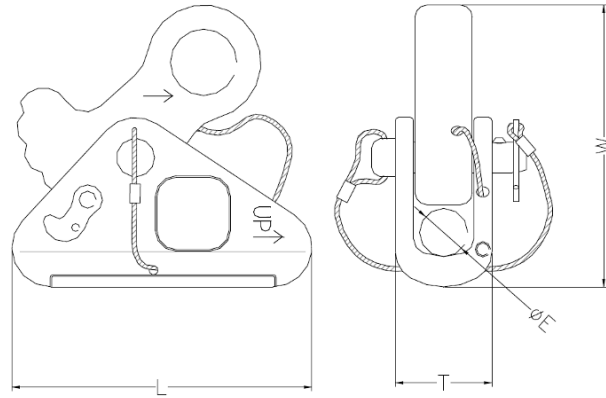
1



2

RP209 > MINI ROPE GRAB WITH PIP PIN.

ISC manufactures an extensive range of fall arrest rope grabs for use on 10.5mm - 16mm diameter rope. All rope grabs conform to relevant EUROPEAN and ANSI standards.



DIMENSIONS >

LENGTH > 85mm
 WIDTH > 64mm
 THICKNESS > 26mm

MATERIAL > HIGH STRENGTH ALUMINIUM
 ROPE SIZE > 10.5- 13mm SYNTHETIC ROPE
 MINIMUM BREAKING LOAD > DEPENDANT ON TYPE AND DIAMETER OF ROPE
 STANDARDS > CE120 > EN353-2 (02) AND NFPA2001
 FINISH > HARD ANODISED
 QUALITY > 100% INSPECTED
 WEIGHT > 184g



International Safety Components Ltd
 Unit 1, Llandygai Industrial Estate,
 Bangor
 Gwynedd
 LL57 4YH
 United Kingdom
 T- +44 (0) 1248 363 110
 F- +44 (0) 1248 372 348
 E- sal es@iscwal es.com
 W- www.iscwal es.com