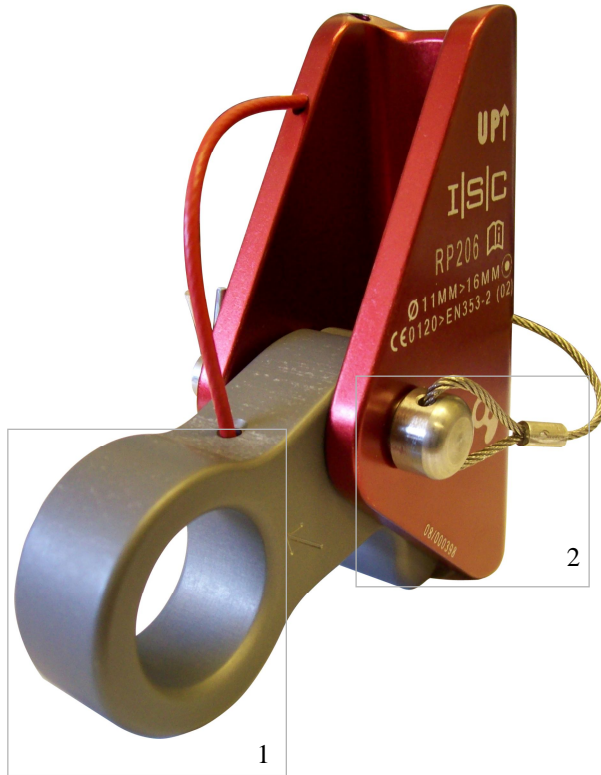
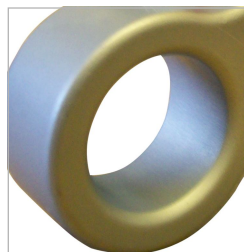
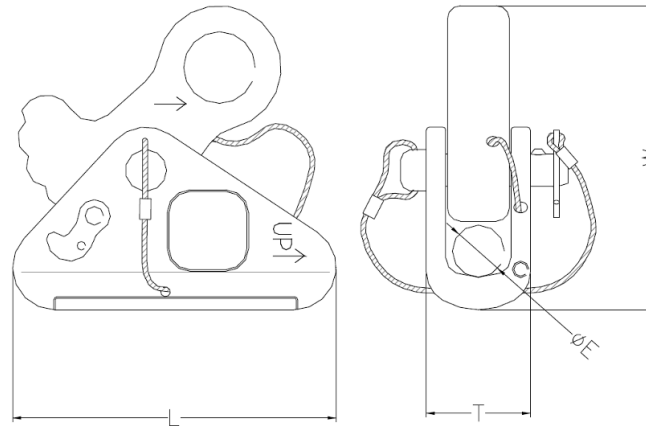


FALL ARREST > ROPEGRABS >



RP206 > ROPE GRAB WITH R CLIP.

ISC manufactures an extensive range of fall arrest rope grabs for use on 10.5mm - 16mm diameter rope. All rope grabs conform to relevant EUROPEAN and ANSI standards.



1



2

DIMENSIONS >
LENGTH > 100mm
WIDTH > 97mm
THICKNESS > 33mm

MATERIAL > HIGH STRENGTH ALUMINIUM
ROPE SIZE > 11- 16MM SYNTHETIC ROPE
MINIMUM BREAKING STRENGTH > DEPEND-
 ANT ON TYPE AND DIAMETER OF ROPE
STANDARDS > BS EN. 567 EN353/2 AND
 NFPA Ansi
FINISH > ANODISED
QUALITY > 100% INSPECTED
WEIGHT > 302g



International Safety Components Ltd
 Unit 1, Llanygai Industrial Estate,
 Bangor
 Gwynedd
 LL57 4YH
 United Kingdom
T- +44 (0) 1248 363 110
F- +44 (0) 1248 372 348
E- sales@iscwales.com
W- www.iscwal.es.com