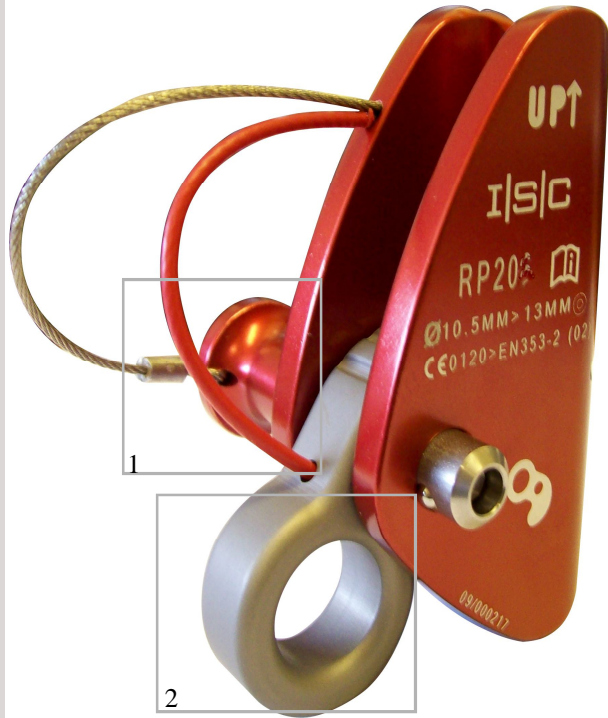
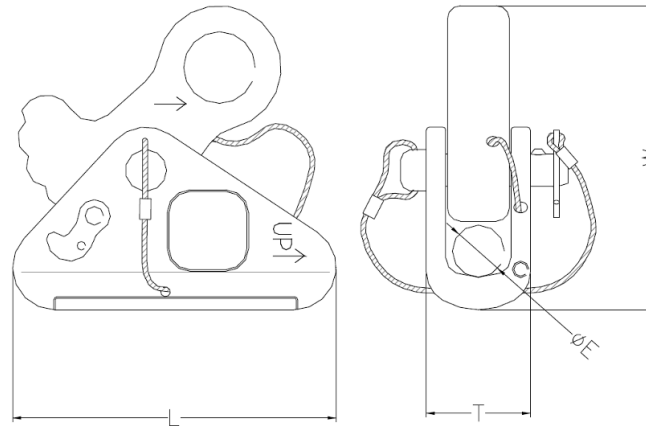


# FALL ARREST > ROPEGRABS >



RP205 > ROPE GRAB, WITH PIP PIN.

ISC manufactures an extensive range of fall arrest rope grabs for use on 10.5mm - 16mm diameter rope. All rope grabs conform to relevant EUROPEAN and ANSI standards.



## DIMENSIONS >

LENGTH > 100mm

WIDTH > 56mm

THICKNESS > 32mm

MATERIAL > HIGH STRENGTH ALUMINIUM

ROPE SIZE > 11-16MM SYNTHETIC ROPE

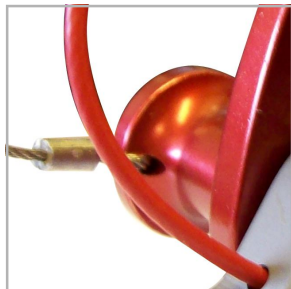
MINIMUM BREAKING STRENGTH > DEPENDANT ON TYPE AND DIAMETER OF ROPE

STANDARDS > BS EN. 567 EN353/2 AND NFPA Ansi

FINISH > ANODISED

QUALITY > 100% INSPECTED

WEIGHT > 308g



1



2

**I | S | C**  
SOLUTIONS IN METAL

International Safety Components Ltd

Unit 1, Llanygai Industrial Estate,  
Bangor

Gwynedd

LL57 4YH

United Kingdom

T- +44 (0) 1248 363 110

F- +44 (0) 1248 372 348

E- sales@iscwales.com

W- www.iscwal.es.com