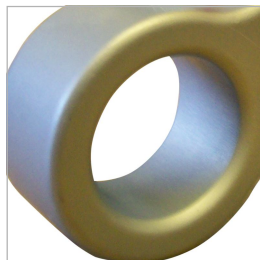
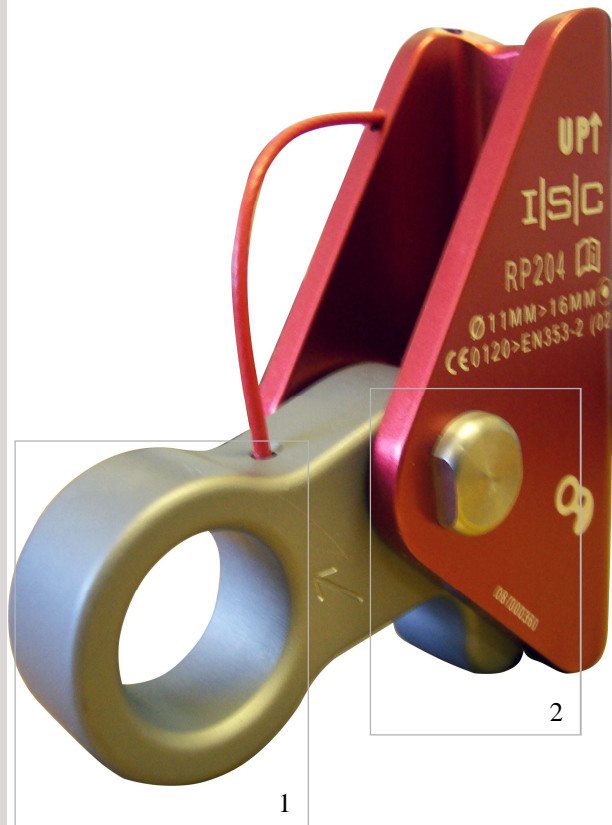


# FALL ARREST > ROPEGRABS >

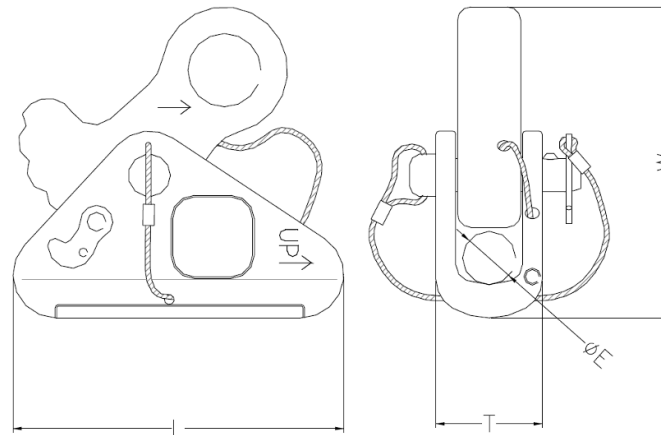


1

2

## RP204 > FIXED ROPE GRAB.

ISC manufactures an extensive range of fall arrest rope grabs for use on 10.5mm - 16mm diameter rope. All rope grabs conform to relevant EUROPEAN and ANSI standards.



### DIMENSIONS >

LENGTH > 100mm

WIDTH > 97mm

THICKNESS > 33mm

**MATERIAL >** HIGH STRENGTH ALUMINIUM  
**ROPE SIZE >** 11- 16MM SYNTHETIC ROPE  
**MINIMUM BREAKING STRENGTH >** DEPEND-  
 ANT ON TYPE AND DIAMETER OF ROPE  
**STANDARDS >** BS EN. 567 EN353/2 AND  
 NFPA Ansi  
**FINISH >** ANODISED  
**QUALITY >** 100% INSPECTED  
**WEIGHT >** 302g

**I|S|C**  
 SOLUTIONS IN METAL

International Safety Components Ltd  
 Unit 1, Llandygai Industrial Estate,  
 Bangor  
 Gwynedd  
 LL57 4YH  
 United Kingdom  
 T- +44 (0) 1248 363 110  
 F- +44 (0) 1248 372 348  
 E- sales@iscwales.com  
 W- www.iscwales.com