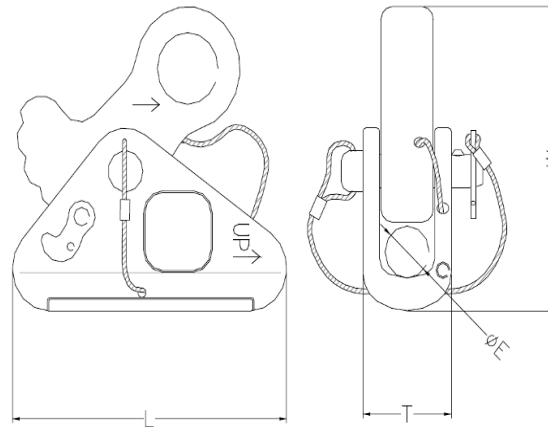


# FALL ARREST > ROPEGRABS >



## RP201 > MINI ROPE GRAB, WITH R CLIP.

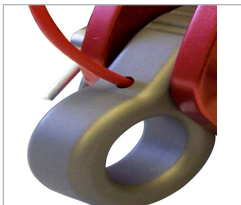
ISC manufactures an extensive range of fall arrest rope grabs for use on 10.5mm - 16mm diameter rope. All rope grabs conform to relevant EUROPEAN and ANSI standards.



### DIMENSIONS >

LENGTH > 85mm  
 WIDTH > 64mm  
 THICKNESS > 26mm

MATERIAL > HIGH STRENGTH ALUMINIUM  
 ROPE SIZE > 10.5- 13mm SYNTHETIC ROPE  
 MINIMUM BREAKING LOAD > DEPENDANT ON TYPE AND DIAMETER OF ROPE  
 STANDARDS > CE120 > EN353-2 (02) AND NFPA2001  
 FINISH > HARD ANODISED  
 QUALITY > 100% INSPECTED  
 WEIGHT > 178g



1



2



International Safety Components Ltd  
 Unit 1, Llandygai Industrial Estate,  
 Bangor  
 Gwynedd  
 LL57 4YH  
 United Kingdom  
 T- +44 (0) 1248 363 110  
 F- +44 (0) 1248 372 348  
 E- sales@iscwales.com  
 W- www.iscwales.com